

# Data Sheet

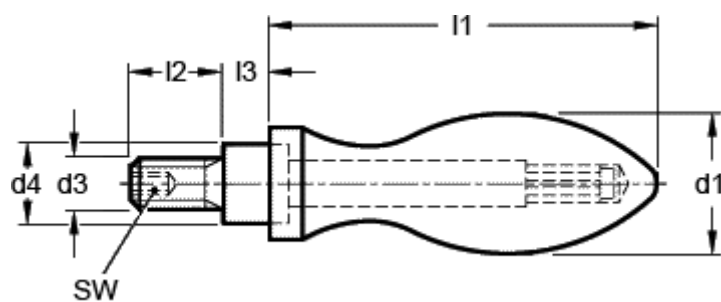


Article number: 20111016

Description: E+G Revolving handle  
DIN 98-AL-16-E

## Measures

---



$d_1$	= 16
$d_3$	= M6
$d_4$ h13	= 10
$l_1$ approx.	= 49
$l_2$	= 11
$l_3$	= 5.5
SW	= 3